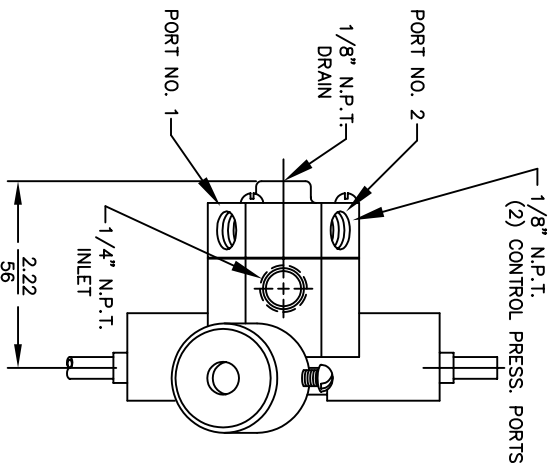


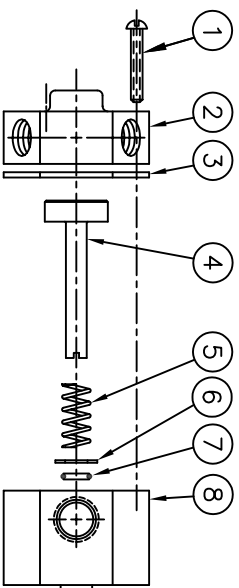
# FLOAT OPERATED LEVEL CONTROL

REPAIR PARTS KITS	PART NO.
DESCRIPTION	
PILLOT CONTROL REPAIR PARTS INCLUDES ITEM NO. 3 THRU 7	1074019 (348-1AB)

PORT 1	PORT 2
FLOAT UP	PRESSURED
FLOAT DOWN	VENTED
	PRESSURED

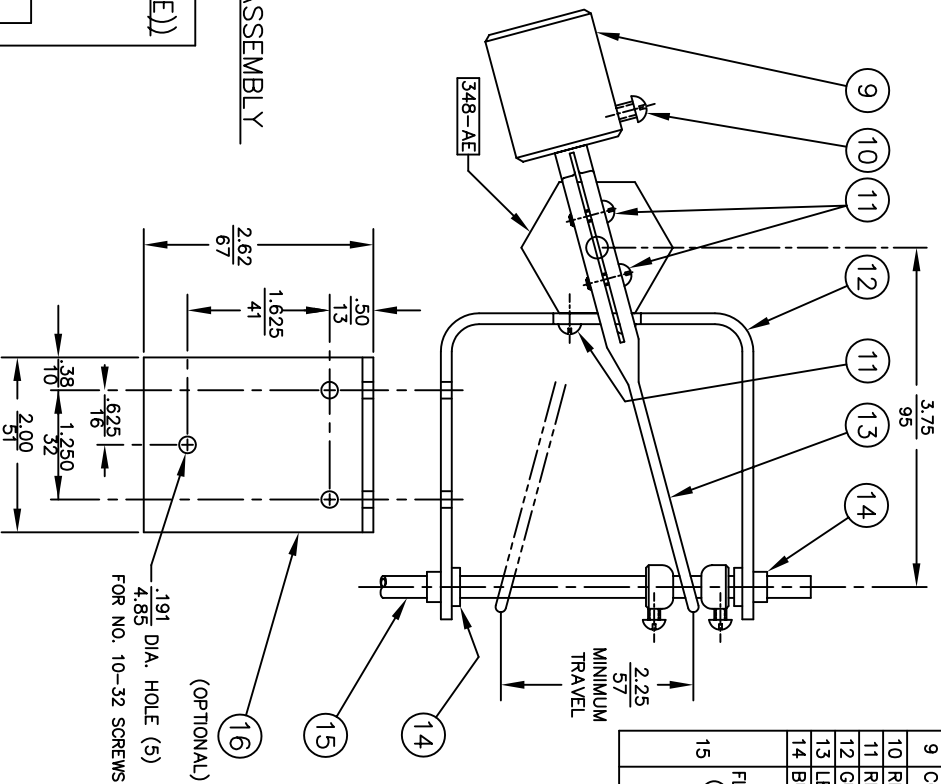


LEVEL CONTROL ASSEMBLY



PILLOT CONTROL ASSEMBLY (1073992 (348-AE))

LEVEL CONTROL ASSEMBLY	FLOAT ROD ASSEMBLY
1074042 (348LC)	1074020 (348-K) (BRASS - 36")
1074044 (348LCK)	1074026 (348-KK) (BRASS - 54")
1074045 (348LCP)	1074029 (348-KP) (P.V.C. - 36")
1074046 (348LCS)	1074030 (348-KS) (STN. ST. - 36")
1074043 (348LCB)	1074028 (348-KL) (BR WELL - 36")
1074047 (348LCX)	NO FLOAT OR ROD INCL.



NO.	DESCRIPTION	PART NO.	QTY.
PILLOT CONTROL ASSEMBLY (348-AE)			
1	RD. HD. MACH. SCREW (6-32 X 7/8)	1075759 (SS-0075)	3
2	BACKPLATE	1073991 (348-A)	1
3	BACKPLATE GASKET	1074842 (48006)	1
4	STEMPLATE ASSEMBLY	1074011 (348-CBA)	1
5	SPRING	1074822 (48-M)	1
6	RETAINER WASHER	1074074 (41-F)	1
7	O-RING	1071667 (OR-010)	1
8	BONNET ASSEMBLY	1074008 (348-BJ)	1

LEVEL CONTROL ASSEMBLY

NO.	DESCRIPTION	PART NO.	QTY.														
9	COUNTERWEIGHT	SEE DWG NO. 1078195	1														
10	RD. HD. MACH. SCREW (8-32 X 1/2)	1072375 (SS-0083)	1														
11	RD. HD. MACH. SCREW (6-32 X 3/8)	1072371 (SS-0070)	4														
12	GUIDE BRACKET	1074012 (348-D)	1														
13	LEVER	1074034 (348-S)	1														
14	BUSHING	1074016 (348-G)	2														
15	FLOAT ROD ASS'Y. (SEE DWG NO. 1078195 FOR PARTS LIST)	<table border="1"> <tr> <td>BRASS (36")</td> <td>1074020 (348-K)</td> </tr> <tr> <td>BRASS (54")</td> <td>1074026 (348-KK)</td> </tr> <tr> <td>P.V.C. (36")</td> <td>1074029 (348-KP)</td> </tr> <tr> <td>STN. STL. (36")</td> <td>1074030 (348-KS)</td> </tr> <tr> <td>STN. STL. (54")</td> <td>1074027 (348-KKS)</td> </tr> <tr> <td>BRASS(36"-BR WELL)</td> <td>1074028 (348-KL)</td> </tr> <tr> <td>BRASS(54"-BR WELL)</td> <td>348-KKL</td> </tr> </table>	BRASS (36")	1074020 (348-K)	BRASS (54")	1074026 (348-KK)	P.V.C. (36")	1074029 (348-KP)	STN. STL. (36")	1074030 (348-KS)	STN. STL. (54")	1074027 (348-KKS)	BRASS(36"-BR WELL)	1074028 (348-KL)	BRASS(54"-BR WELL)	348-KKL	1
BRASS (36")	1074020 (348-K)																
BRASS (54")	1074026 (348-KK)																
P.V.C. (36")	1074029 (348-KP)																
STN. STL. (36")	1074030 (348-KS)																
STN. STL. (54")	1074027 (348-KKS)																
BRASS(36"-BR WELL)	1074028 (348-KL)																
BRASS(54"-BR WELL)	348-KKL																

FOR FLOAT ROD ASSEMBLY OPTIONS, SEE DRAWING NO. 1078195

FORM NO. 1078193

D	NUMBER	CONVERSION	1588	MSM	200E002
REV	DESCRIPTION	ECO	DWN	DATE	APVD



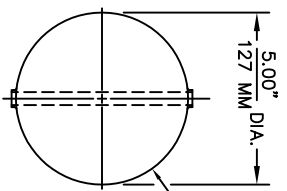
20380 Enterprise Avenue  
Brookfield, WI 53045  
888.794.9065  
www.PentairWaterTreatment.com

SERIES 348 LEVEL CONTROL  
FLOAT OPERATED VALVES

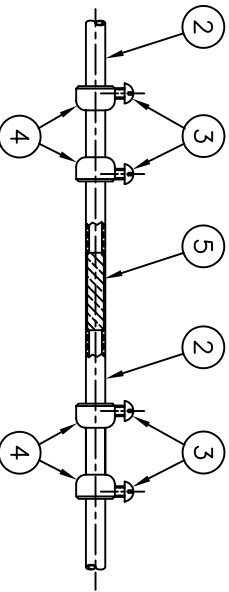
SCALE	DRAWN	DATE	DWG. NO.
N/A	JWB	17 JUL 01	1078194

PRINTED IN U.S.A.

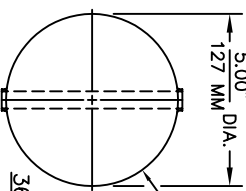
# V420 FLOAT ROD ASSEMBLIES



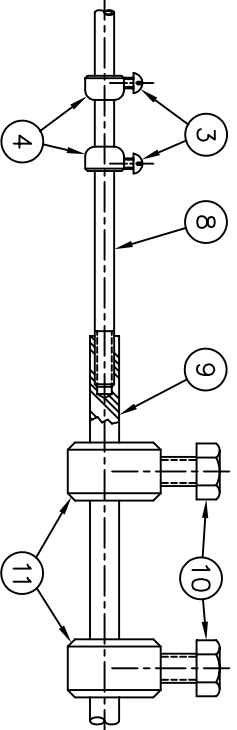
1 STANDARD POLYSTYRENE FLOAT ROD ASSEMBLY



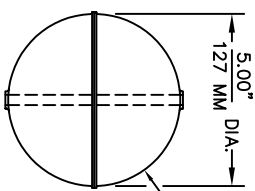
36" (914 MM) FLOAT ROD ASSEMBLY - STANDARD LENGTH [1074020 (348-K)]



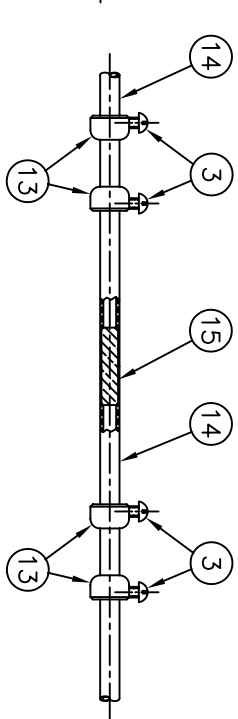
7 OPTIONAL P.V.C. FLOAT ROD ASSEMBLY



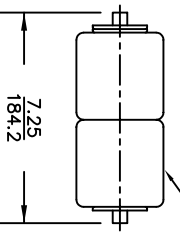
36" (914 MM) PVC FLOAT ROD ASSEMBLY - STANDARD LENGTH [1074029 (348-KP)]



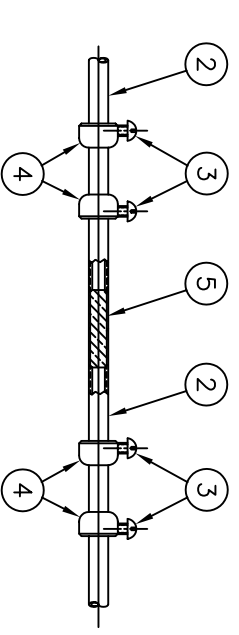
12 OPTIONAL STAINLESS STEEL FLOAT ROD ASSEMBLY



36" (914 MM) STAINLESS STEEL FLOAT ROD ASSEMBLY - STANDARD LENGTH [1074030 (348-KS)]



16 OPTIONAL BRINE WELL FLOAT ROD ASSEMBLY



36" (914 MM) BRINE WELL FLOAT ROD ASSEMBLY - STANDARD LENGTH [1074028 (348-KL)]

OPTIONAL 36" BRINE WELL FLOAT ROD ASSEMBLY (1074028 (348-KL))		
16 SPONGE FLOAT ASSEMBLY	1074031 (348-L)	1
2 FLOAT ROD (BRASS)	1074023 (348-KC)	2
3 RD. HD. MACH. SCREW (6-32 X 1/4)	1072370 (SS-0069)	4
4 STOP (BRASS)	1074017 (348-H)	4
5 STUD (BRASS)	1074022 (348-KB)	1
N.S. COUNTERWEIGHT	1074015 (348-FF)	1

OPTIONAL 54" BRINE WELL FLOAT ROD ASSEMBLY (348-KKL)		
16 SPONGE FLOAT ASSEMBLY	1074031 (348-L)	1
2 FLOAT ROD (BRASS)	1074023 (348-KC)	3
3 RD. HD. MACH. SCREW (6-32 X 1/4)	1072370 (SS-0069)	4
4 STOP (BRASS)	1074017 (348-H)	4
5 STUD (BRASS)	1074022 (348-KB)	1
N.S. COUNTERWEIGHT	1074015 (348-FF)	1

NO.	DESCRIPTION	PART NO.	QTY.
STANDARD 36" FLOAT ROD ASSEMBLY (1074020 (348-K))			
1	FLOAT (POLYSTYRENE)	1073986 (348-AQ)	1
2	FLOAT ROD (BRASS)	1074023 (348-KC)	2
3	RD. HD. MACH. SCREW (6-32 X 1/4)	1072370 (SS-0069)	4
4	STOP (BRASS)	1074017 (348-H)	4
5	STUD (BRASS)	1074022 (348-KB)	1
N.S.	COUNTERWEIGHT	1074014 (348-F)	1

OPTIONAL 54" FLOAT ROD ASSEMBLY (1074026 (348-KK))			
1	FLOAT (POLYSTYRENE)	1073986 (348-AQ)	1
2	FLOAT ROD (BRASS)	1074023 (348-KC)	3
3	RD. HD. MACH. SCREW (6-32 X 1/4)	1072370 (SS-0069)	4
4	STOP (BRASS)	1074017 (348-H)	4
5	STUD (BRASS)	1074022 (348-KB)	2
N.S.	COUNTERWEIGHT	1074015 (348-FF)	1

OPTIONAL 36" PVC FLOAT ROD ASSEMBLY (1074029 (348-KP))			
3	RD. HD. MACH. SCREW (6-32 X 1/4)	1072370 (SS-0069)	2
4	STOP (PVC)	1074017 (348-H)	2
7	FLOAT (PVC)	1073987 (348-AR)	1
8	UPPER FLOAT ROD (PVC)	1073999 (348-AV)	1
9	LOWER FLOAT ROD (PVC)	1073995 (348-AP)	1
10	HEX HD. CAP SCREW (3/8-16 X 1")	1072352 (SP-0023)	2
11	COLLAR	1073993 (348-AH)	2
N.S.	COUNTERWEIGHT	1074014 (348-F)	1

OPTIONAL 36" STN. STL. FLOAT ROD ASSEMBLY (1074030 (348-KS))			
3	RD. HD. MACH. SCREW (6-32 X 1/4)	1072370 (SS-0069)	4
12	FLOAT (STN. STL.)	1073988 (348-AS)	1
13	STOP (STN. STL.)	1074018 (348-HC)	4
14	FLOAT ROD (STN. STL.)	1074024 (348-KD)	2
15	STUD (STN. STL.)	1074025 (348-KE)	1
N.S.	COUNTERWEIGHT	1074014 (348-F)	1

OPTIONAL 54" STN. STL. FLOAT ROD ASSEMBLY (348-KSK)			
3	RD. HD. MACH. SCREW (6-32 X 1/4)	1072370 (SS-0069)	4
12	FLOAT (STN. STL.)	1073988 (348-AS)	1
13	STOP (STN. STL.)	1074018 (348-HC)	4
14	FLOAT ROD (STN. STL.)	1074024 (348-KD)	3
15	STUD (STN. STL.)	1074025 (348-KE)	2
N.S.	COUNTERWEIGHT	1074014 (348-F)	1

FORM NO. 1078193

D	NUMBER	CONVERSION	1588	MSM	200E02
REV	DESCRIPTION	ECO	DWN	DATE	APVD

**Pentair Water**  
20580 Enterprise Avenue  
Brookfield, WI 53045  
888.784.9065  
www.PentairWaterTreatment.com

SERIES 420 DIAPHRAGM VALVES  
FLOAT ROD ASSEMBLIES

SCALE: DRAWN: DATE: DWG. NO. 1078194  
N/A JWB 17JUL01