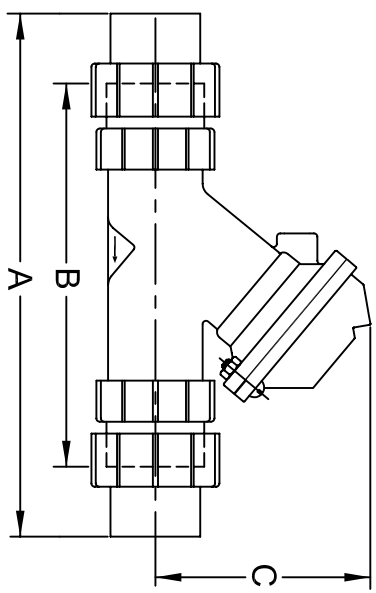
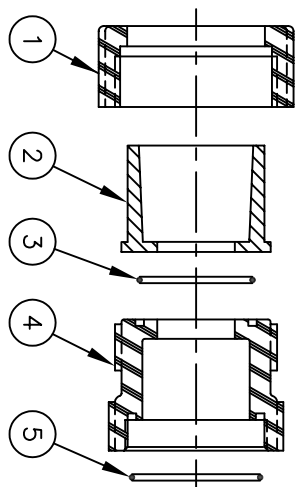


**FEMALE SOCKET WELD END CONNECTOR**

VALVE SERIES	STANDARD	DIAMETER A	DEPTH B	TAPER C
520	A.S.T.M. 1/2"	.848/.856"	.875"	0°, 24'
	I.S.O. NW-15	20.1/20.3 MM	22.2 MM	0°, 15'
	J.I.S. 16	21.9/22.3 MM	22.2 MM	0°, 19'
521	A.S.T.M. 1"	1.325/1.335"	1.125"	0°, 23'
	I.S.O. NW-25	32.1/32.3 MM	28.6 MM	0°, 15'
	J.I.S. 25	31.9/32.4 MM	28.6 MM	0°, 16'
524	A.S.T.M. 1-1/2"	1.912/1.924"	1.375"	0°, 23'
	I.S.O. NW-40	50.1/50.3 MM	34.9 MM	0°, 15'
	J.I.S. 40	47.9/48.5 MM	34.9 MM	0°, 16'



VALVE SERIES	UNITS	LENGTH A	LENGTH B	HEIGHT C
520	INCHES	7.00	4.87	2.62
	MM	177.8	123.7	66.5
521	INCHES	9.00	6.31	4.06
	MM	228.6	160.3	103.1
524	INCHES	12.50	9.31	5.06
	MM	317.5	23.5	128.5



**UNION END ADAPTOR**

**SERIES 520 UNION END ADAPTOR KITS**

A.S.T.M. 1/2"	E.P.D.M. O-RING	1070184	K520400
INCLUDES	BUTYL O-RING	1070185	K520404
ITEMS 1,2,3,4,5	FKM O-RING	1070186	K520402
I.S.O. NW-15	E.P.D.M. O-RING	1070190	K520403
	BUTYL O-RING	1070191	K520404
	FKM O-RING	1070192	K520405
J.I.S. - 16	E.P.D.M. O-RING	1070193	K520406
	BUTYL O-RING	1070194	K520407
	FKM O-RING	1070195	K520408

**SERIES 521 UNION END ADAPTOR KITS**

A.S.T.M. 1"	E.P.D.M. O-RING	1070202	K521400
INCLUDES	BUTYL O-RING	1070153	K521401
ITEMS 1,2,3,4,5	FKM O-RING	1070154	K521402
I.S.O. NW-25	E.P.D.M. O-RING	1070205	K521403
	BUTYL O-RING	1071155	K521404
	FKM O-RING	1071156	K521405
J.I.S. - 25	E.P.D.M. O-RING	1070205	K521406
	BUTYL O-RING	1071157	K521407
	FKM O-RING	1071158	K521408

**SERIES 524 UNION END ADAPTOR KITS**

A.S.T.M. 1-1/2"	E.P.D.M. O-RING	1070208	K524400
INCLUDES	BUTYL O-RING	1071221	K524404
ITEMS 1,2,3,4,5	FKM O-RING	1070213	K524405
I.S.O. NW-40	E.P.D.M. O-RING	1070212	K524403
	BUTYL O-RING	1071221	K524404
	FKM O-RING	1070213	K524405
J.I.S. - 40	E.P.D.M. O-RING	1070214	K524406
	BUTYL O-RING	1071222	K524407
	FKM O-RING	1070215	K524408

NOTE: ALL ADAPTOR KITS CONTAIN (2) ADAPTORS, (ONE KIT REQ'D PER VALVE)

NO.	DESCRIPTION	PART NO.
-----	-------------	----------

**SERIES 520 UNION END ADAPTOR**

1	TAILPIECE NUT	107495	520040K	
2	FEMALE SOCKET WELD END CONNECTOR	A.S.T.M. 1/2"	1074891	520007
		I.S.O. NW-15	107492	520008
		J.I.S. 16	107493	520009
3	O-RING	E.P.D.M.	107120	0R-117
		BUTYL	107166	0R-117
		FKM	107496	520044K
4	TAILPIECE	E.P.D.M.	107120	0R-117
		BUTYL	107167	0R-117
		FKM	1071802	0R-120

**SERIES 521 UNION END ADAPTOR**

1	TAILPIECE NUT	1075067	521000K	
2	FEMALE SOCKET WELD END CONNECTOR	A.S.T.M. 1"	1075061	521007
		I.S.O. NW-25	1075063	521008
		J.I.S. 25	1075065	521009
3	O-RING	E.P.D.M.	1071732	0R-125
		BUTYL	107168	0R-125
		FKM	1071803	0R-125
4	TAILPIECE	E.P.D.M.	1075068	521004K
		BUTYL	1071733	0R-128
		FKM	107169	0R-128
5	O-RING	E.P.D.M.	1071733	0R-128
		BUTYL	107169	0R-128
		FKM	1071804	0R-128

**SERIES 524 UNION END ADAPTOR**

1	TAILPIECE NUT	1075150	524000K	
2	FEMALE SOCKET WELD END CONNECTOR	A.S.T.M. 1 1/2"	1075144	524007
		I.S.O. NW-40	1075146	524008
		J.I.S. 40	1075148	524009
3	O-RING	E.P.D.M.	1071735	0R-137
		BUTYL	1071771	0R-137
		FKM	1071807	0R-137
4	TAILPIECE	E.P.D.M.	1071735	0R-138
		BUTYL	1071772	0R-138
		FKM	1071808	0R-138

SEE FORM 1078152 FOR SOCKET WELD & FLANGED ADAPTORS

FORM NO. 1081309

A	RELEASE NEW DESIGN	1416	JWB	25JUL01	VP
REV	DESCRIPTION	ECO	DWN	DATE	APVD



20580 Enterprise Avenue  
Brookfield, WI 53045  
888.784.9065  
www.PentairWaterTreatment.com

**SERIES 520, 521 & 524 DIAPHRAGM VALVE END CONNECTOR PARTS & KITS**

SCALE	DRAWN	DATE	DWG. NO.
N/A	JWB	25JUL01	1078140

